

HPCF UPVC CARTRIDGE FILTER HOUSING (3 or 5 rounds)

HPCF cartridge filter is a filter system with high precision. It consists of the housing and cartridge elements, mainly used in pretreatment. It can be widely used in electronics industry, sewage treatment, beverage, foods, pure water treatment, also it can acts as home water purification equipment.



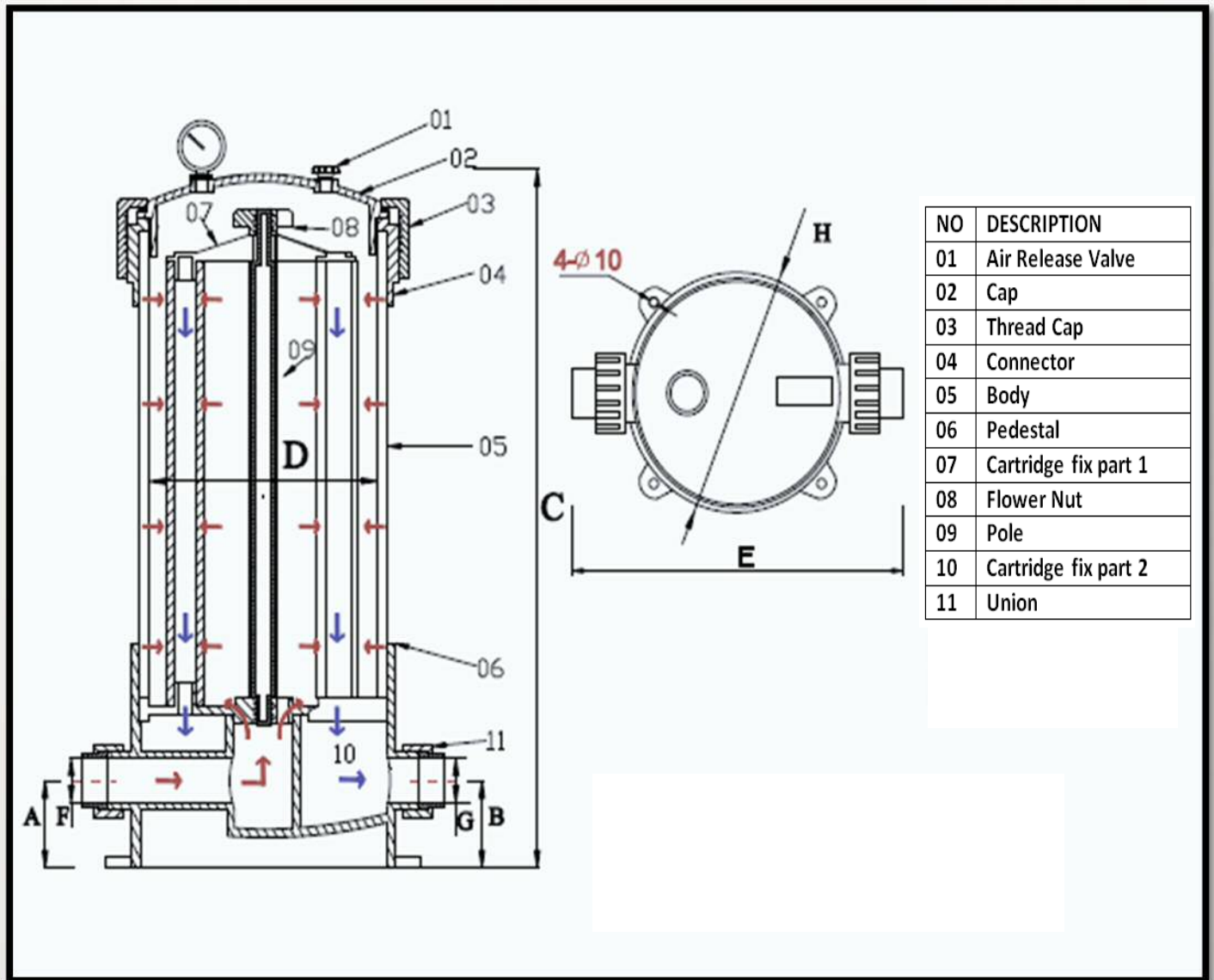
Product Merits:

- 💧 All the parts of this series filter are made of UPVC.
- 💧 The inlet and outlet are in the same line, which connected with the pipe is adopt a 1.5" or 2" union.
- 💧 The distribution system of HPCF filters is distributed from bottom to top. Water is well- proportional with small strike to cartridges and air is easy to be discharged.
- 💧 The bottom system of HPCF filter is designed together as a whole with the top localizer & closure system. Cartridges are easy to be installed, pushed down and closed, preventing leaking inside.
- 💧 A series: The lid and the body are connected by a nut. Ensure a good seal performance.
B series: The lid and the body are connected using flange method, ensure the housing can stand higher pressure.
- 💧 HPCF filter is corrosion resistant. It can be used in SS-non-replace field.

Ordering Information:

MODEL		DIMENSION	CARTRIDGE PCS	CARTRIDGES SIZE	IN/OUT	MAX PRESSURE (PSI)
HPCF-5DC1	HPCF-3DC1	Φ225-H450	5/3	10"	DN40/DN50	A=60PSI
HPCF-5DC2	HPCF-3DC2	Φ225-H700		20"	ANSI	
HPCF-5DC3	HPCF-3DC3	Φ225-H950		30"	1.5" / ANSI2"	B=100PSI
HPCF-5DC4	HPCF-3DC4	Φ225-H1200		40"		

Specification



Ultimate in Filtration

GFS FILTRATION PTE LTD

No.52, Ubi Ave 3, #05-36 Frontier, Singapore 408867

Tel: (65) 6846 4689 Fax: (65) 6846 4875

Email: enquiry@gfsfilter.com Website: www.gfsfilter.com

GFS FILTRATION (M) SDN BHD

No.31, Jalan Tabla 33/21, Shah Alam Technology Park

40400 Shah Alam, Selangor Darul Ehsan, Malaysia

Tel: 603-5122 2988 Fax: 603-5122 5388

Email: sales@gfsfilter.com Website: www.gfsfilter.com

