



**INTRODUCTION**

*GFS CSH Series Stainless Steel Multi Cartridge Filter Housing* Is ideal for most industrial/ commercial applications. Our cartridge filter vessels are constructed in a variety of piping sizes, connection styles and materials to meet your specific needs. Multiple cartridge vessels are available with offset feeds and with either NPT or flanged connections. Materials such as Titanium is available upon request.

**FEATURES INCLUDES**

- Welded legs
- Maximum design pressure is 150 PSI (10bar)
- Eye nuts closure for quick & easy filter changeout
- Threaded or Flanged inlet and outlet
- Buna-N O-Ring standard with Viton and Silicon available (others on request)
- Threaded vent and drain connections.
- Side inlet, side outlet and bottom drain

- \* *Accepts 5 or 7 pieces of cartridges*
- \* *Carbon steel, 304, 316 or 316L Stainless Steel*

The CSH Multi-Cartridge Housing Series is able to accommodate double-open-end (DOE) and single-open-end (SOE) filter cartridges in 10 inch, 20 inch, 30 inch and 40 inch in lengths.

**APPLICATIONS**

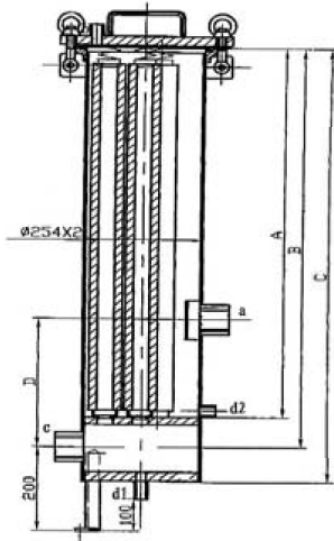
- √ Pre- Filtration
- √ Portable –Water Filtration
- √ Paint Filtration
- √ Petro-Chemical
- √ Waste Water Processing
- √ Lubricants
- √ Coatings



TM



**SPECIFICATION**



Mark	Port Size	Service
a	2"NPT	Inlet
b	1/2" NPT	Vent
c	2"NPT	Outlet
d1-2	1"NPT	Drain

Type	Cartridge		A	B	C	D	GPM
	Length	No. of cartridge					
CSH51	10"	5	376	451	526	175	25
CSH71	10"	7	376	451	526	175	35
CSH52	20"	5	630	705	780	275	50
CSH72	20"	7	630	705	780	275	70
CSH53	30"	5	885	960	1035	375	75
CSH73	30"	7	885	960	1035	375	105
CSH54	40"	5	1140	1215	1290	475	100
CSH74	40"	7	1140	1215	1290	475	140

\*\* The maximum flowrate is recommended through the vessel WITHOUT filter cartridges installed using water as a base. Any increase in fluid viscosity will reduce the maximum GPM figures significantly. Please consult your GFS representative when sizing these vessels.

**Ordering Guide**

Type	Cartridge Length	Material of construction	Inlet/Outlet Connection (inches)	Connection
CSH	51 : 5pcs of 10" 71 : 7pcs of 10" 52 : 5pcs of 20" 72 : 7pcs of 20" 53 : 5pcs of 30" 73 : 7pcs of 30" 54 : 5pcs of 40" 74 : 7pcs of 40"	CS - Carbon Steel 304SS 316SS 316L SS	1 : 1" 1½ : 1½" 2 : 2" 2½ : 2½" 3 : 3" 4 : 4"	NPT : NPT FLG: Flanged
<b>CSH</b>	<b>73</b>	<b>304SS</b>	<b>2"</b>	<b>NPT</b>



TM



# MULTI CARTRIDGE STAINLESS STEEL FILTERS HOUSING



MCSH series offer a broad range of housing selections. Housing sizes range from three-round housings to eighty-eight-round housings, flow rates range from 3 to 450 m<sup>3</sup>/hour, two pressure ratings 10 bars and 20 bars are available, inlet outlet diameters range from 2 inch to 8 inch.

MCSH housings are designed to use cartridges with both SOE and DOE end cap configuration. 100% bypass free guaranteed. The entire housing only uses a single gasket for effective seal.

## **FEATURES**

- ☒ Universally adaptive cup seals fit DOE & SOE end Gaskets
- ☒ Only a single gasket is required to seal the entire Housing
- ☒ Building Materials: Carbon steel, 304 & 316 stainless Steel
- ☒ Surface Treatments: Glass bead blast, sanitary & electro polishing
- ☒ Inlet/ outlet Connections: NPT, FLG, BSP, JIS PT & Tri-Clover
- ☒ Seal Gasket Materials: Buna-N, Viton & EPDM
- ☒ Standard Package: Buna-N gasket, stand & center posts

## **TYPICAL APPLICATIONS**

- ☒ Auto coating & paint
- ☒ Water purification & processing
- ☒ Pharmaceutical
- ☒ Food & beverage
- ☒ Bulk & fine chemicals
- ☒ Petro-chemical
- ☒ Electronics & semiconductor



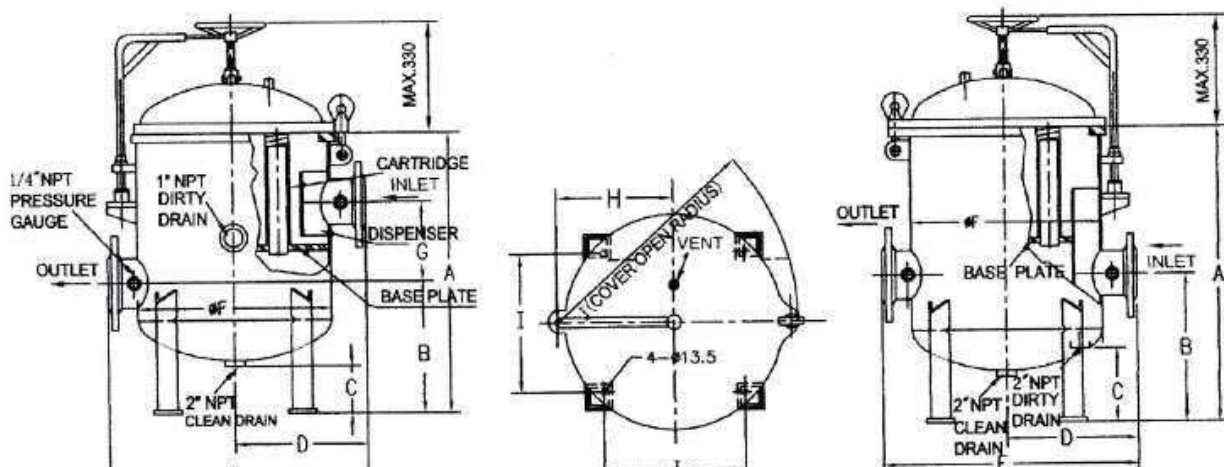
TM

Ultimate in Filtration

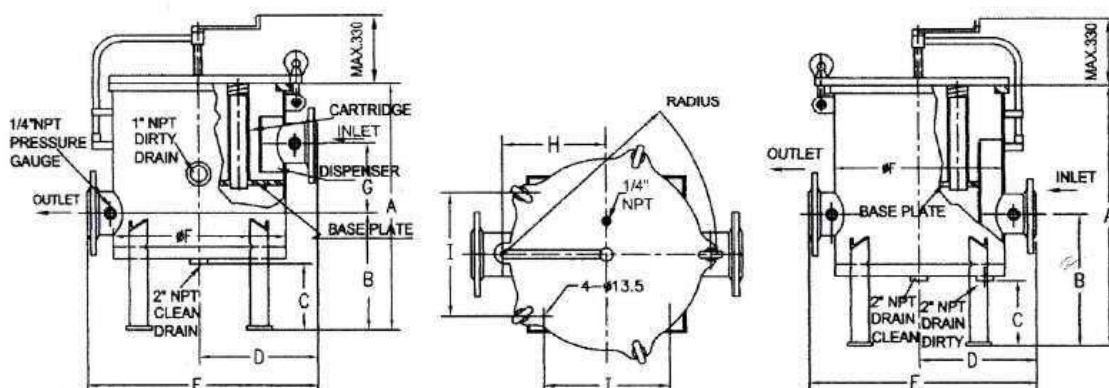


URS is a member of Register of Scottish Building Ltd.

# MULTI CARTRIDGE STAINLESS STEEL FILTERS HOUSING



MCSH Dome Cover Design



MCSH Flat Cover Design

## MCSH Multi Round Cartridge Housing Dimensions (in mm)

Model	Pipe Size	A	B	C	D	E	F	G	H	I	J	K	Filter Qty
MCSH930	4"	1,511	1,219	229	457	305	324	762	219	314	14	152	9
MCSH940	4"	1,765	1,473	229	457	305	324	1,016	219	314	14	152	9
MCSH1230	4"	1,511	1,219	229	457	305	324	762	219	314	14	152	12
MCSH1240	4"	1,765	1,473	229	457	305	324	1,016	219	314	14	152	12
MCSH1830	4"	1,537	1,232	279	559	305	356	762	235	349	14	152	18
MCSH1840	4"	1,791	1,486	279	559	305	356	1,016	235	349	14	152	18
MCSH2730	6"	1,626	1,346	356	711	305	457	762	286	413	14	152	27
MCSH2740	6"	1,880	1,600	356	711	305	457	1,016	286	413	14	152	27
MCSH3630	6"	1,575	1,270	381	762	305	508	737	311	314	25	102	36
MCSH3640	6"	1,829	1,524	381	762	305	508	991	311	314	25	102	36
MCSH4830	6"	1,930	1,575	432	864	533	610	762	362	392	25	178	48
MCSH4840	6"	2,184	1,829	432	864	533	610	1,016	362	392	25	178	48
MCSH6530	8"	2,083	1,575	508	1,016	584	711	762	413	451	25	152	65
MCSH6540	8"	2,337	1,829	508	1,016	584	711	1,016	413	451	25	152	65
MCSH8830	10"	2,197	1,664	559	1,118	635	813	762	464	534	25	178	88
MCSH8840	10"	2,451	1,918	559	1,118	635	813	1,016	464	524	25	178	88



TM

GFS FILTRATION PTE LTD  
 No.52, Ubi Ave 3, #05-36 Frontier, Singapore 408867  
 Tel: (65) 6846 4689 Fax: (65) 6846 4875  
 Email: enquiry@gfsfilter.com Website: www.gfsfilter.com

GFS FILTRATION (M) SDN BHD  
 No.31, Jalan Tabla 33/21, Shah Alam Technology Park  
 40400 Shah Alam, Selangor Darul Ehsan, Malaysia  
 Tel: 603-5122 2988 Fax: 603-5122 5388  
 Email: sales@gfsfilter.com Website: www.gfsfilter.com

